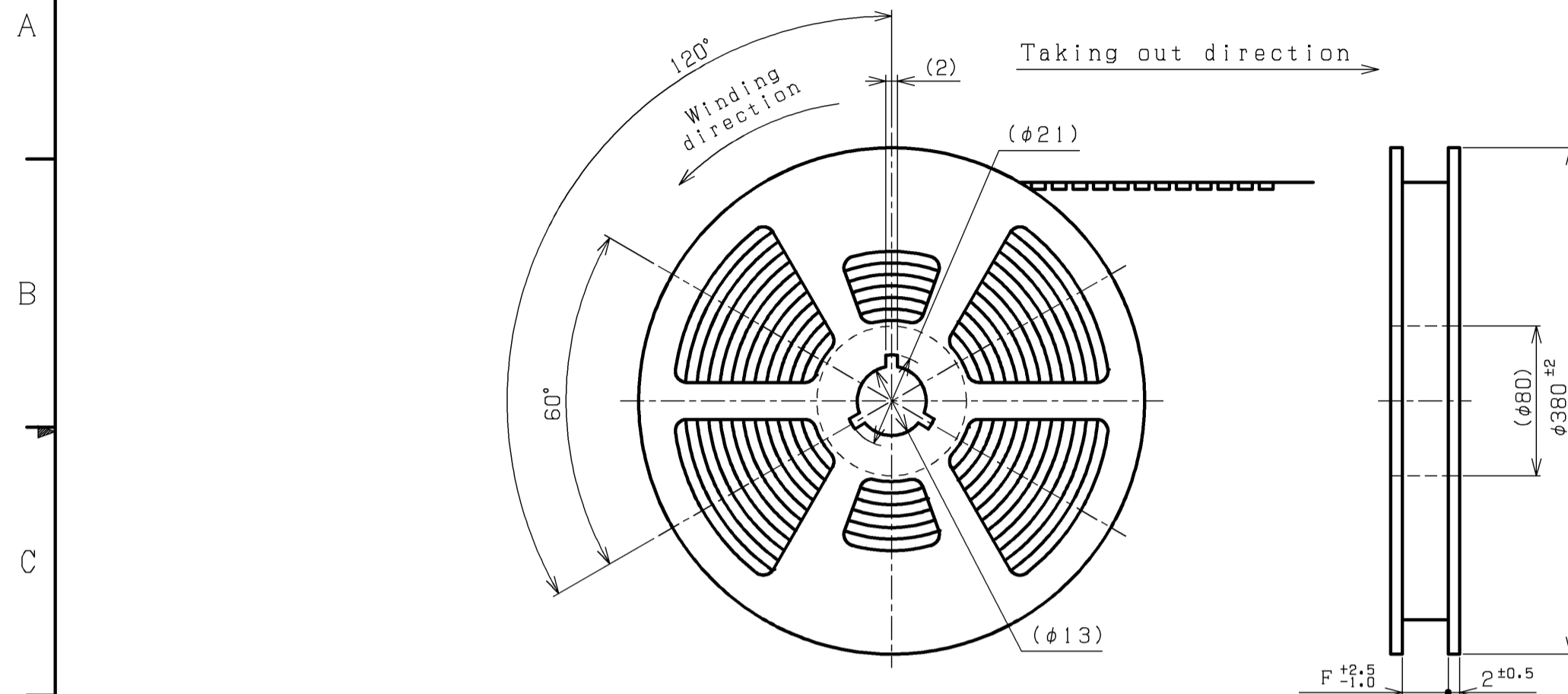
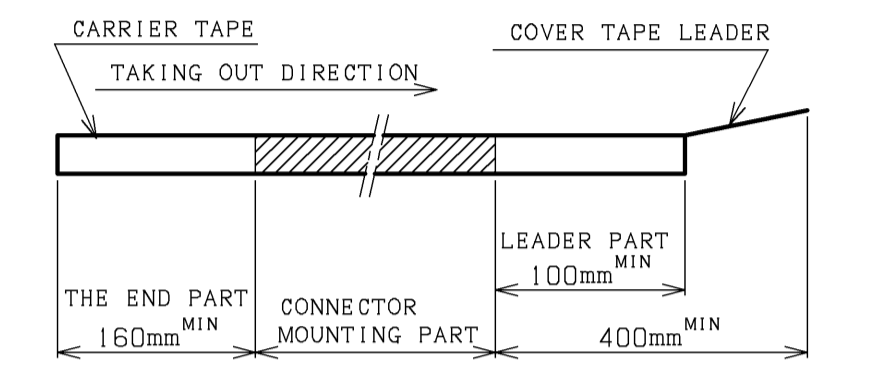


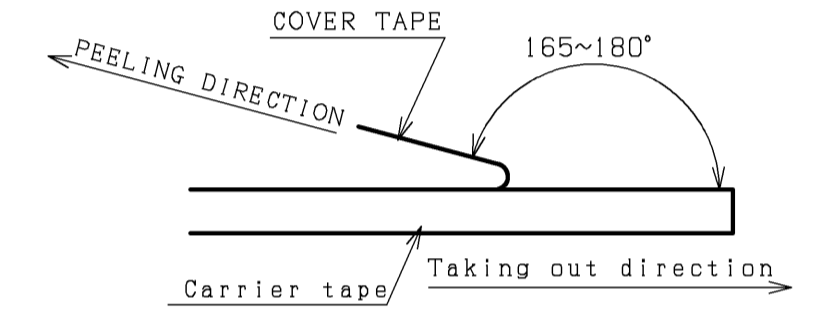
REV.	DESCRIPTION	DATE	DESIGNED
△	Color part No. is added.	AUG. 3.2007	T.S
△	Circuit No. are added.	JAN.23.2008	T.S



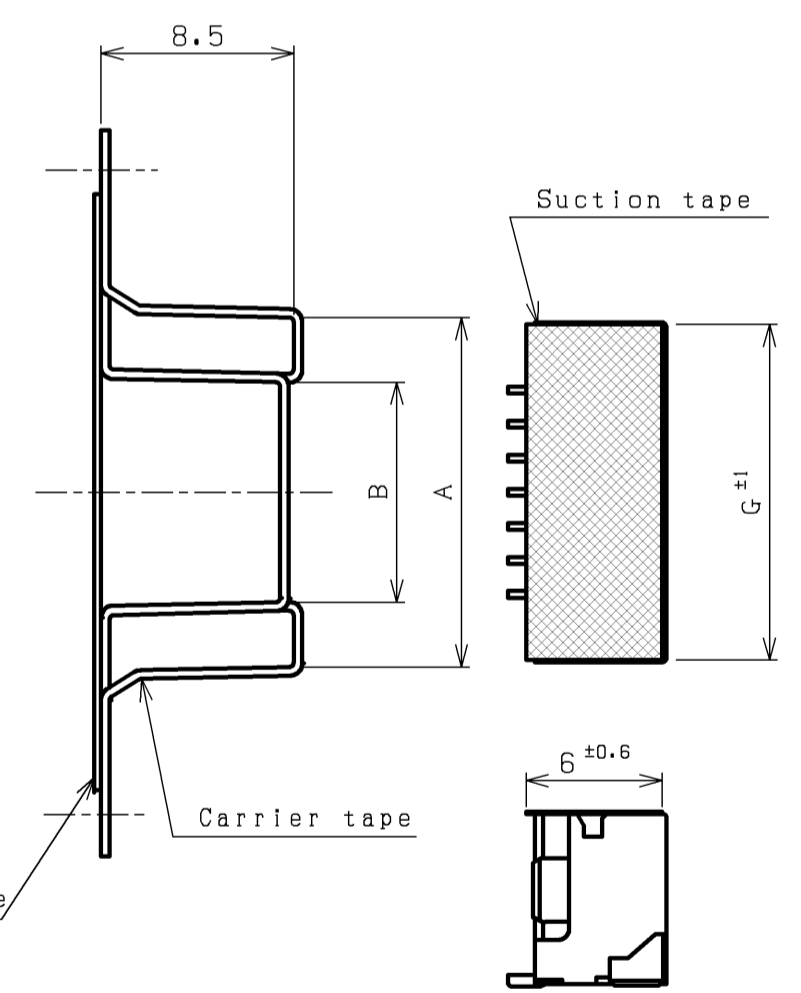
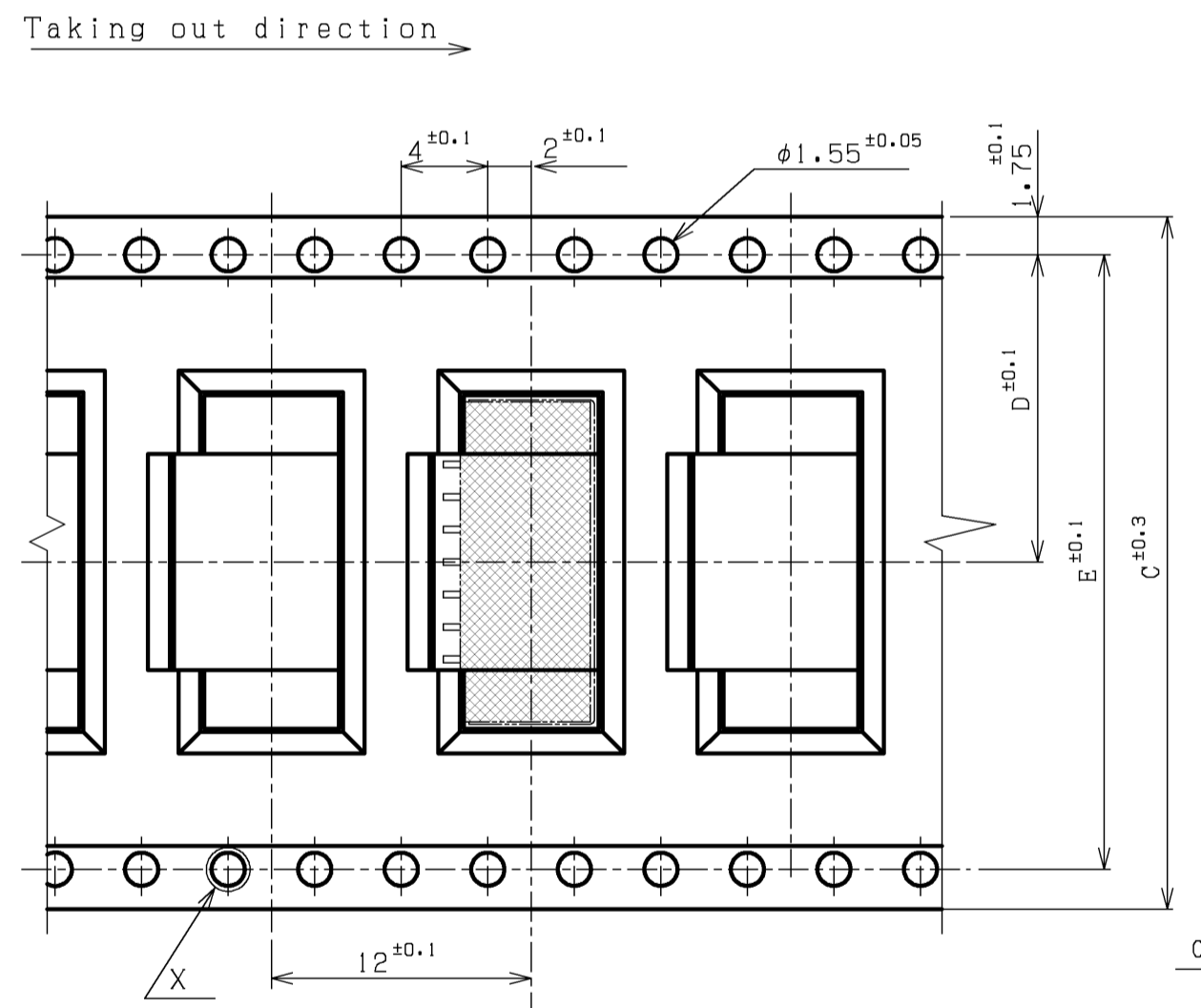
NOTE
 1.Connector part:See the DWG. of ZE Connector.
 2.Quantity to be packaged:800pcs/reel
 3.Leading tape length.



4.Cover tape peel strength:0.1~1N
 (Peel speed:300mm/minute)

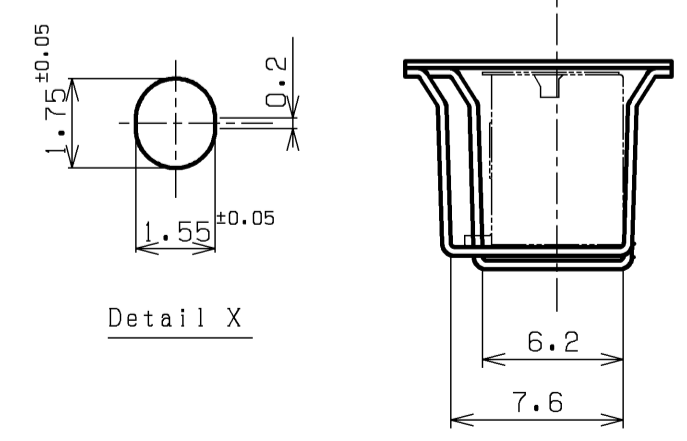


5.Material:Carrier tape: Polyester (PET)
 Cover tape : Polyester (PET)
 Reel ;Flange: Polystyrene (PS)
 Core: Polypropylene (PP)
 Polystyrene (PS)
 6.Unless otherwise specified,
 tolerances are ±0.3



SUCTION TAPE CONFIGURATION

Circuits	Dimensions						
	A	B	C	D	E	F	G
7	15.4	9.7	32.0	14.2	28.4	33.5	14.8
8	16.9	11.2	32.0	14.2	28.4	33.5	16.3
9	18.4	12.7	32.0	14.2	28.4	33.5	17.8
10	19.9	14.2	32.0	14.2	28.4	33.5	19.3
11	21.4	15.7	44.0	20.2	40.4	45.5	20.8
12	22.9	17.2	44.0	20.2	40.4	45.5	22.3
△ 13	24.4	18.7	44.0	20.2	40.4	45.5	23.8
△ 14	25.9	20.2	44.0	20.2	40.4	45.5	25.3
△ 15	27.4	21.7	44.0	20.2	40.4	45.5	26.8
△ 16	28.9	23.2	44.0	20.2	40.4	45.5	28.3



Color	Part No.
Natural	BM()-ZESS-TBT (LF) (SN)
Moss green	BM()-ZEMGS-TBT (LF) (SN)

No.	PART NAME	MATERIAL	SURFACE FINISH	REMARKS
SIZE	UNIT	SCALE	PROJECTION	DATE
A2	METRIC	3:1	⊕	AUG. 3.2007
APPROVED	CHECKED	DESIGNED	DRAWN	CUSTOMER
S.K	E.N	T.S		SERIES NAME
				ZE CONNECTOR EMBOSSED-TAPING
				PART No.
				BM()B-ZE()S-TBT (LF) (SN)
				DRAWING No.
				KRD-41788
				R2

JST J.S.T.MFG.CO.,LTD.